

# Genuine Spare Parts

Catalogo delle parti di ricambio  
Spare parts catalogue  
Catalogue des pieces de rechange  
Ersatzteilkatalog

# 2010

- Use GLOBAL GARDEN PRODUCT Genuine Spare Parts specified in the parts list for repair and/or replacement.
- The contents described in the parts list may change due to improvement.
- The drawings of the spare parts are only indicative and might not represent the part in question exactly.
- The indications "right" - "left" - "front" - "rear" refer to the position of the operator when using the machine.
- When placing orders of parts for repair and/or replacement, make sure that the illustrated parts list is the one applying to the machine's year of manufacture, as shown on the identification plate attached to the machine.

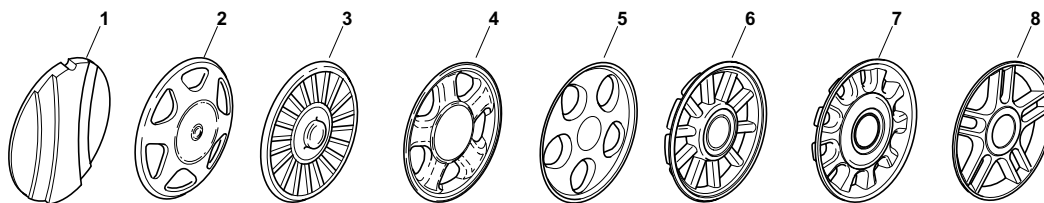
COPYRIGHT by GLOBAL GARDEN PRODUCTS

All rights reserved. No part of this material may be reproduced or transmitted, in any form or by any means, electronic or mechanical, including photocopying, recording or by any information storage and retrieval system, without permission in writing from GLOBAL GARDEN PRODUCTS.



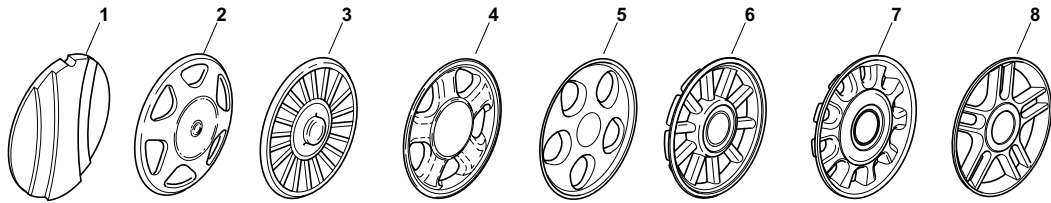
**GLOBAL GARDEN PRODUCTS**

## ENCLOSURE 1



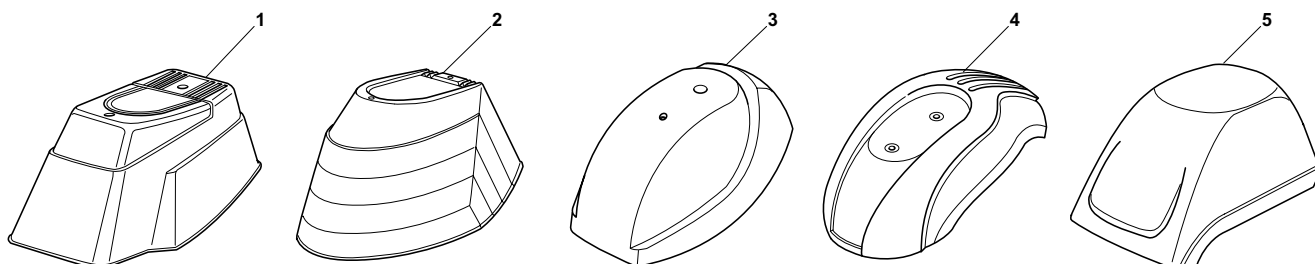
POS.	CODE	Q.TY	DESCRIZIONE	DESCRIPTION	DESCRIPTION	BESCHREIBUNG	REMARKS
1	22110252/1		Coprimozzo Bianco	Hub Cap White	Couvre-Moyeu	Radkappe Weiße	
1	22110254/1		Coprimozzo Giallo	Hub Cap Yellow	Couvre-Moyeu	Radkappe Gelbe	
1	22110255/1		Coprimozzo Rosso	Hub Cap Red	Couvre-Moyeu	Radkappe Rote	
2	22110344/0		Coprimozzo Bianco	Hub Cap White	Couvre-Moyeu	Radkappe Weiße	
2	22110395/0		Coprimozzo Grigio	Hub Cap Grey	Couvre-Moyeu Gris	Radkappe Grau	
3	22110347/0		Coprimozzo Grigio	Hub Cap Grey	Couvre-Moyeu Gris	Radkappe Grau	
4	22110381/0		Coprimozzo Grigio	Hub Cap Grey	Couvre-Moyeu Gris	Radkappe Grau	
5	22110416/0		Coprimozzo Grigio	Hub Cap Grey	Couvre-Moyeu Gris	Radkappe Grau	
6	22110495/0		Coprimozzo Grigio	Hub Cap Grey	Couvre-Moyeu Gris	Radkappe Grau	
7	22110493/0		Coprimozzo Grigio	Hub Cap Grey	Couvre-Moyeu Gris	Radkappe Grau	
8	22110491/0		Coprimozzo Grigio	Hub Cap Grey	Couvre-Moyeu Gris	Radkappe Grau	

## ENCLOSURE 2



POS.	CODE	Q.TY	DESCRIZIONE	DESCRIPTION	DESCRIPTION	BESCHREIBUNG	REMARKS
1	22110251/0		Coprimezzo Bianco	Hub Cap White	Couvre-Moyeu	Radkappe Weiße	
1	22110253/0		Coprimezzo Giallo	Hub Cap Yellow	Couvre-Moyeu	Radkappe Gelbe	
1	22110256/0		Coprimezzo Rosso	Hub Cap Red	Couvre-Moyeu	Radkappe Rote	
2	22110313/0		Coprimezzo Bianco	Hub Cap White	Couvre-Moyeu	Radkappe Weiße	
2	22110314/0		Coprimezzo Grigio	Hub Cap Grey	Couvre-Moyeu Gris	Radkappe Grau	
3	22110348/0		Coprimezzo Grigio	Hub Cap Grey	Couvre-Moyeu Gris	Radkappe Grau	
4	22110382/0		Coprimezzo Grigio	Hub Cap Grey	Couvre-Moyeu Gris	Radkappe Grau	
5	22110417/0		Coprimezzo Grigio	Hub Cap Grey	Couvre-Moyeu Gris	Radkappe Grau	
6	22110496/0		Coprimezzo Grigio	Hub Cap Grey	Couvre-Moyeu Gris	Radkappe Grau	
7	22110494/0		Coprimezzo Grigio	Hub Cap Grey	Couvre-Moyeu Gris	Radkappe Grau	
8	22110492/0		Coprimezzo Grigio	Hub Cap Grey	Couvre-Moyeu Gris	Radkappe Grau	

## ENCLOSURE 6

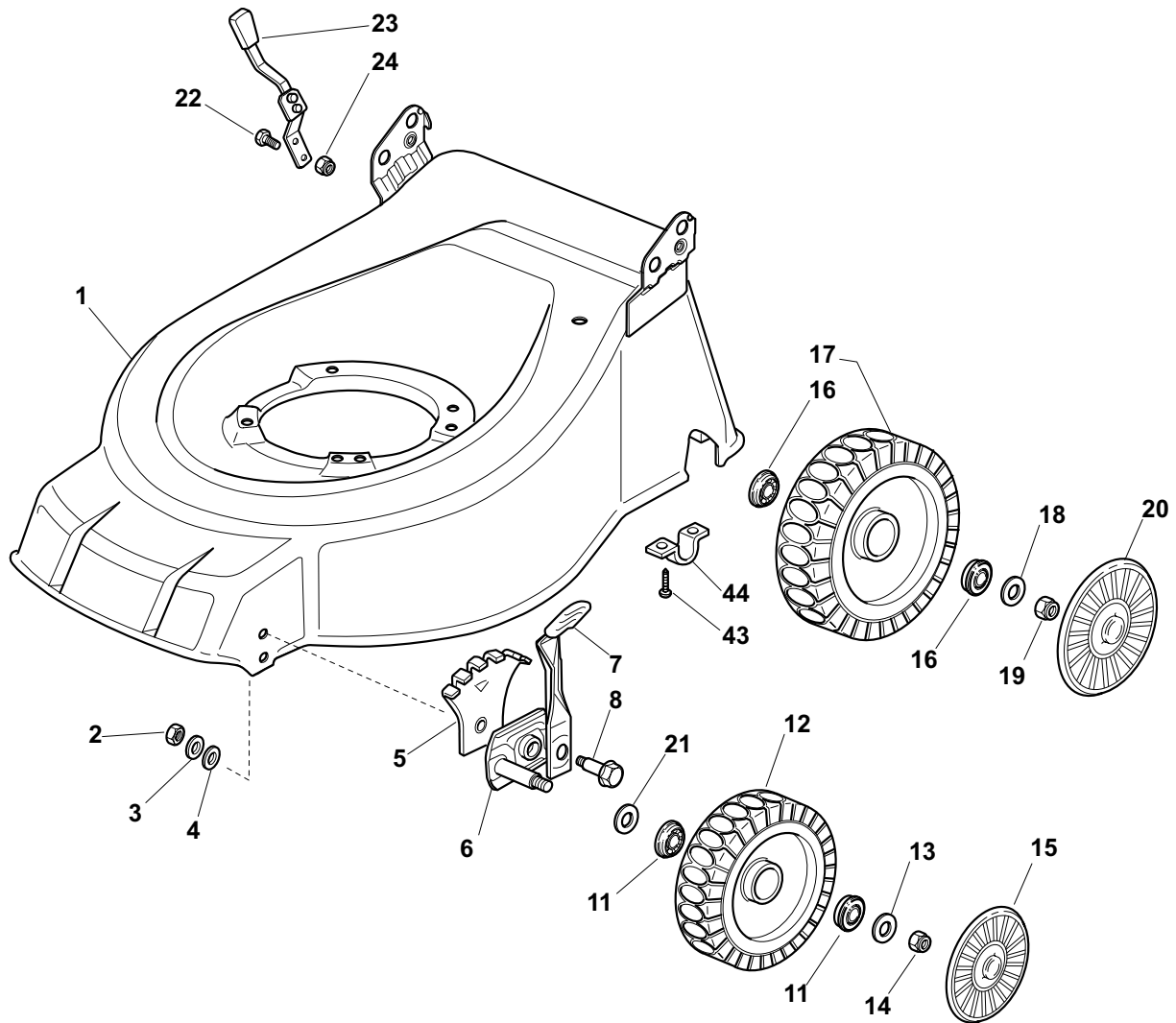
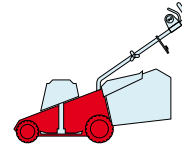


POS.	CODE	Q.TY	DESCRIZIONE	DESCRIPTION	DESCRIPTION	BESCHREIBUNG	REMARKS
1	22055045/1	1	Capottina	Cover	Capot	Haube	
2	22055033/1	1	Capottina	Cover	Capot	Haube	
3	22055058/0	1	Capottina	Cover	Capot	Haube	
4	22055065/0	1	Capottina	Cover	Capot	Haube	
5	22055053/1	1	Capottina	Cover	Capot	Haube	

W

WL

480 TR



POS.	CODE	Q.TY	DESCRIZIONE	DESCRIPTION	DESCRIPTION	BESCHREIBUNG	REMARKS
1	81002602/1	1	Chassis Rosso	Deck Red	Châssis Rouge	Gehäuse Rot	
2	12293200/0	2	Dado	Nut	Ecrou	Mutter	
3	12583500/0	2	Grower	Grower	Grower	Federring	
4	12523070/0	2	Rosetta	Washer	Rondelle	Scheibe	
5	22735547/0	2	Settore Regolazione Altezza	Sector, Height Adjustment	Secteur Reglage Hauteur	Sektor, Höheverstellung	
6	81005082/0	2	Supporto Ruota	Support, Wheel	Support Roue	Halter, Rad	
7	81003285/1	2	Leva Regolazione Altezza	Lever, Height Adjustment	Levier, Reglage Hauteur	Hebel, Höheverstellung	
8	22519811/0	2	Perno	Pin	Pivot	Bolzen	
11	22122200/0	4	Cuscinetto	Bearing	Coussinet	Lager	
12	81007336/0	2	Ruota Scolpita Ø 170	Wheel, Knobby Ø 170	Roue Sculptee Ø 170	Rad M. Stollenpr. Ø 170	
13	12521350/0	2	Rosetta	Washer	Rondelle	Scheibe	
14	12155000/0	2	Dado	Nut	Ecrou	Mutter	
15	-	2	Coprimezzo	Hub Cap	Couvre-Moyeu	Radkappe	(See Enclosure 1)
16	22122200/0	4	Cuscinetto	Bearing	Coussinet	Lager	
17	81007337/0	2	Ruota Scolpita Ø 210	Wheel, Knobby Ø 210	Roue Sculptee Ø 210	Rad M. Stollenpr. Ø 210	
18	12369500/0	2	Disco Elastico	Elastic Washer	Disque Elastique	Federscheibe	
19	12155000/0	2	Dado	Nut	Ecrou	Mutter	

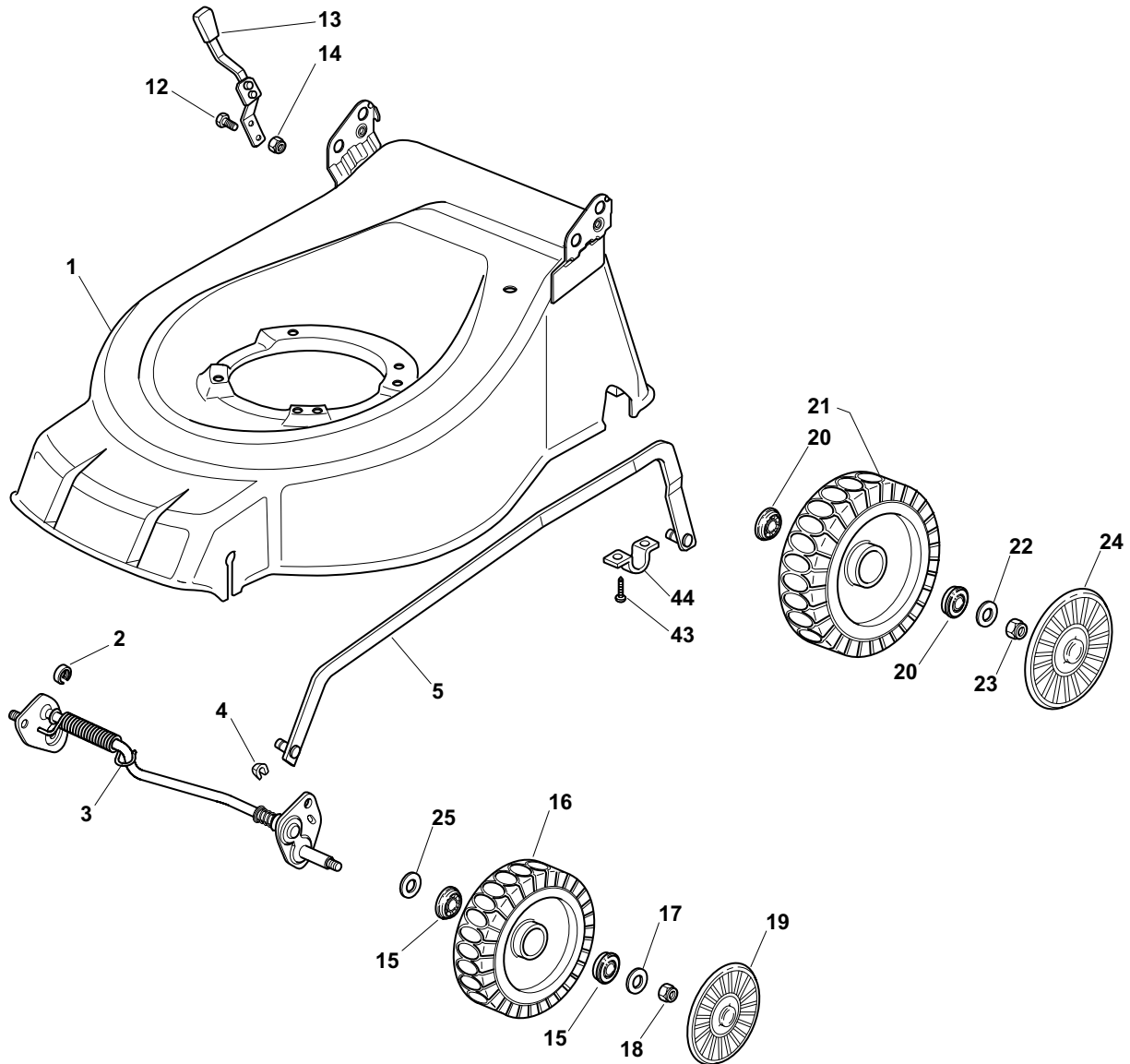
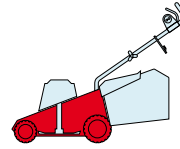


POS.	CODE	Q.TY	DESCRIZIONE	DESCRIPTION	DESCRIPTION	BESCHREIBUNG	REMARKS
20	-	2	Coprizzo	Hub Cap	Couvre-Moyeu	Radkappe	(See Enclosure 2)
21	12530150/0	2	Rosetta Elastica	Elastic Washer	Rondelle Elastique	Elastische Scheibe	
22	12789000/0	2	Vite	Screw	Vis	Schraube	
23	81003279/2	1	Leva Regolazione Altezza	Lever, Height Adjustment	Levier, Reglage Hauteur	Hebel, Höheverstellung	
24	12154330/0	2	Dado	Nut	Ecrou	Mutter	
43	12731350/0	4	Vite	Screw	Vis	Schraube	
44	22545152/0	2	Piastrina	Plate	Plaquette	Platte	

W

WL

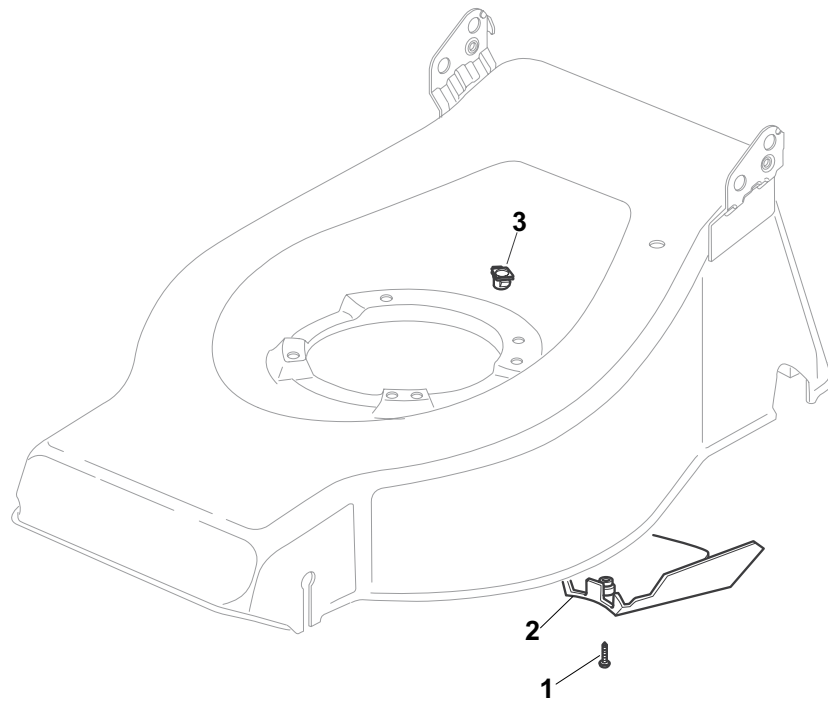
480 TR



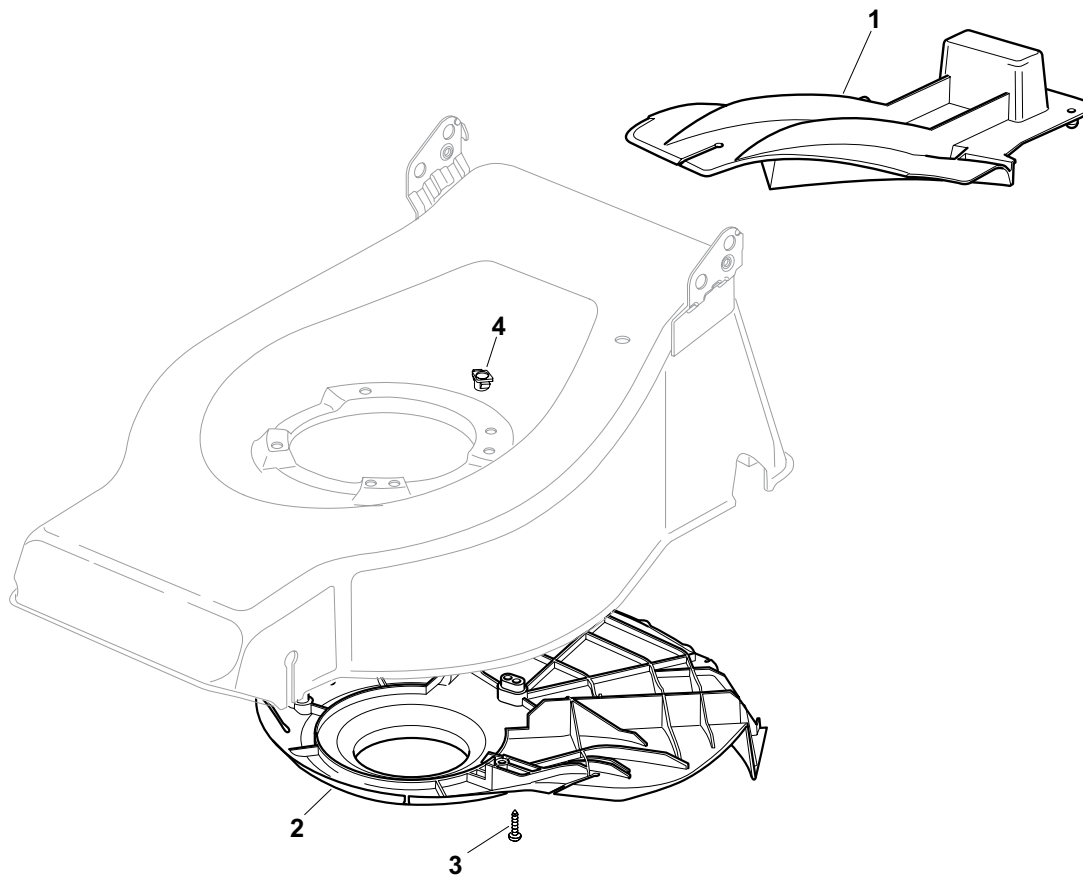
POS.	CODE	Q.TY	DESCRIZIONE	DESCRIPTION	DESCRIPTION	BESCHREIBUNG	REMARKS
1	381002606/2	1	Chassis Rosso	Deck Red	Châssis Rouge	Gehäuse Rot	
2	22171002/0	1	Distanziale	Spacer	Entretoise	Distanzring	
3	81000141/1	1	Asse Ruote Anteriori	Axle, Front Wheels	Axe Roues Avant	Achse, Vorderrad	
4	112436051/0	2	Piastrina	Plate	Plaquette	Plättchen	
5	381002020/0	1	Asta Comando Regol. Altezza	Rod, Height Adjustment	Tige Commande Reglage Hauteur	Stange, Höheverstellung	
12	12789000/0	2	Vite	Screw	Vis	Schraube	
13	81003283/1	1	Leva Regolazione Altezza	Lever, Height Adjustment	Levier, Reglage Hauteur	Hebel, Höheverstellung	
14	12154320/0	2	Dado	Nut	Ecrou	Mutter	
15	22122200/0	4	Cuscinetto	Bearing	Coussinet	Lager	
16	81007336/0	2	Ruota Scolpita Ø 170	Wheel, Knobby Ø 170	Roue Sculptee Ø 170	Rad M. Stollenpr. Ø 170	
17	12521350/0	2	Rosetta	Washer	Rondelle	Scheibe	
18	12155000/0	2	Dado	Nut	Ecrou	Mutter	
19	-	2	Coprimozzo	Hub Cap	Couvre-Moyeu	Radkappe	(See Enclosure 1)
20	22122200/0	4	Cuscinetto	Bearing	Coussinet	Lager	

POS.	CODE	Q.TY	DESCRIZIONE	DESCRIPTION	DESCRIPTION	BESCHREIBUNG	REMARKS
21	81007337/0	2	Ruota Scolpita Ø 210	Wheel, Knobbly Ø 210	Roue Sculptee Ø 210	Rad M. Stollenpr. Ø 210	
22	12521350/0	2	Rosetta	Washer	Rondelle	Scheibe	
23	12155000/0	2	Dado	Nut	Ecrou	Mutter	
24	-	2	Coprimozzo	Hub Cap	Couvre-Moyeu	Radkappe	(See Enclosure 2)
25	12530150/0	2	Rosetta Elastica	Elastic Washer	Rondelle Elastique	Elastische Scheibe	
43	12731350/0	4	Vite	Screw	Vis	Schraube	
44	22545152/0	2	Piastrina	Plate	Plaquette	Platte	



**W****WL****480 TR**

POS.	CODE	Q.TY	DESCRIZIONE	DESCRIPTION	DESCRIPTION	BESCHREIBUNG	REMARKS
1	12727791/0	1	Vite	Screw	Vis	Schraube	430 - 480
1	12728530/0	1	Vite	Screw	Vis	Schraube	480 MulCHing
2	22060170/1	1	Carter Cinghia	Protection, Belt	Protection	Schutz, Riemen	430
2	22060180/0	1	Carter Cinghia	Protection, Belt	Protection	Schutz, Riemen	480
3	22291150/0	1	Inserto In Gomma	Rubber Insert	Insert De	Gummi Einsatz	

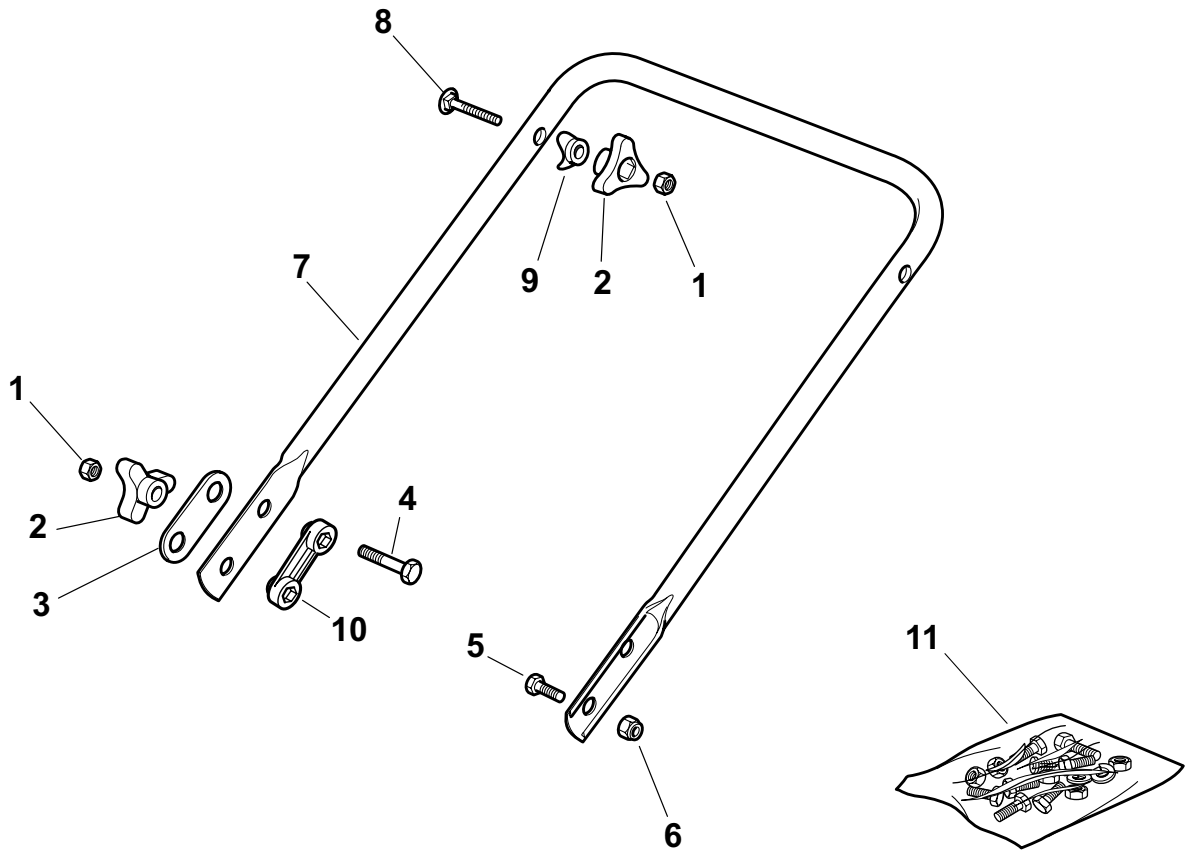
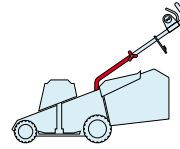
**W****WL****480 TR**

POS.	CODE	Q.TY	DESCRIZIONE	DESCRIPTION	DESCRIPTION	BESCHREIBUNG	REMARKS
1	22140223/0	1	Deflettore	Deflector	Deflecteur	Deflektor	480
2	22060198/0	1	Carter	Protection	Protection	Schutz	480
3	12728530/0	3	Vite	Screw	Vis	Schraube	
4	22291150/0	1	Inserto In Gomma	Rubber Insert	Insert De	Gummi Einsatz	

W

WL

480 TR

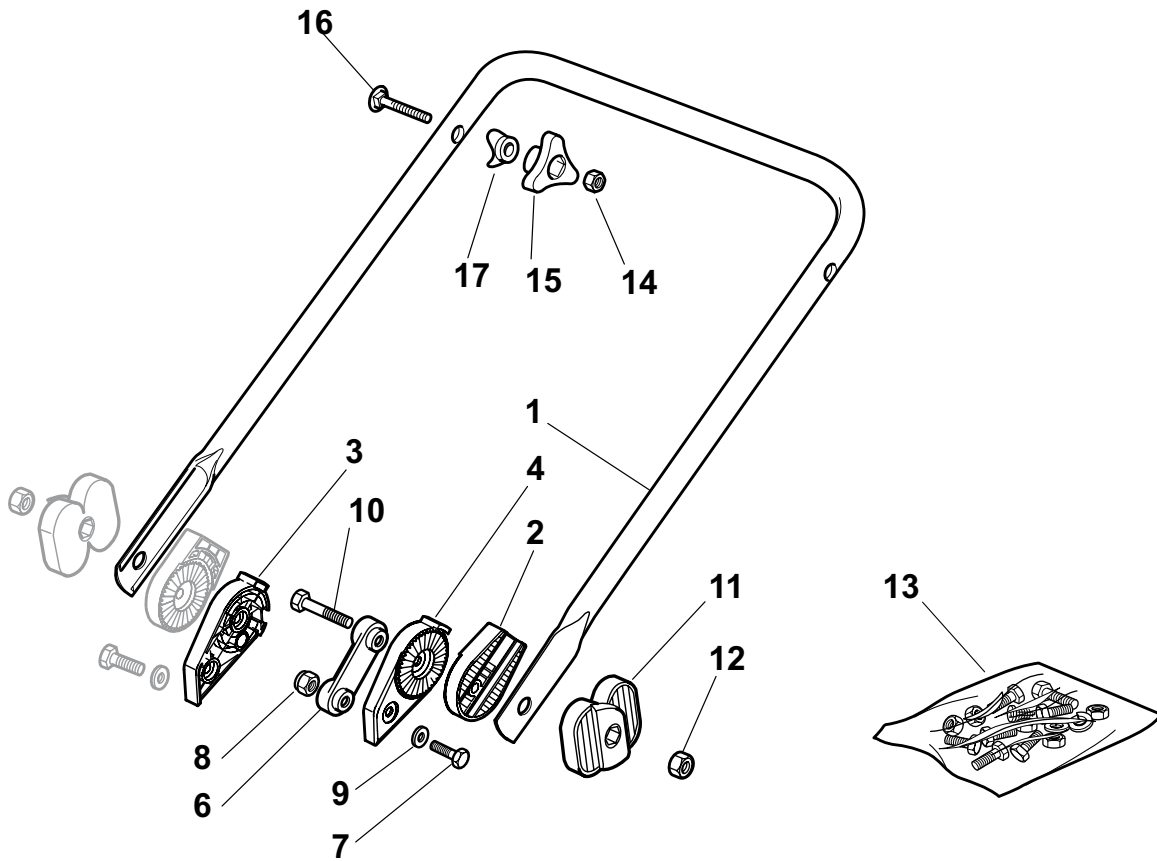
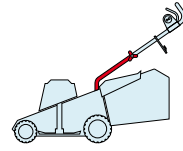


POS.	CODE	Q.TY	DESCRIZIONE	DESCRIPTION	DESCRIPTION	BESCHREIBUNG	REMARKS
1	12293200/0	4	Dado	Nut	Ecrou	Mutter	
2	22399900/0	4	Manopolina	Knob	Poignée	Griff	
3	22551574/0	2	Piastrina Esterna	Plate, Outside	Plaquette Externe	Platte, Äußere	
4	12691115/0	2	Vite	Screw	Vis	Schraube	
5	12793300/0	2	Vite	Screw	Vis	Schraube	
6	12155000/0	2	Dado	Nut	Ecrou	Mutter	
7	81006512/0	1	Manico, Parte Inf	Handle, Lower Part	Mancheron, Partie Inférieure	Holm, Unterteil	
8	12819201/0	2	Vite	Screw	Vis	Schraube	
9	22680006/1	2	Rosetta	Washer	Rondelle	Scheibe	
10	22551575/0	2	Piastrina Interna	Plate, Inside	Plaquette Interne	Platte, Innere	
11	81008596/1	1	Dotazione Viteria	Outfit, Screws	Dotation Visserie	Satz, Schrauben	

W

WL

480 TR

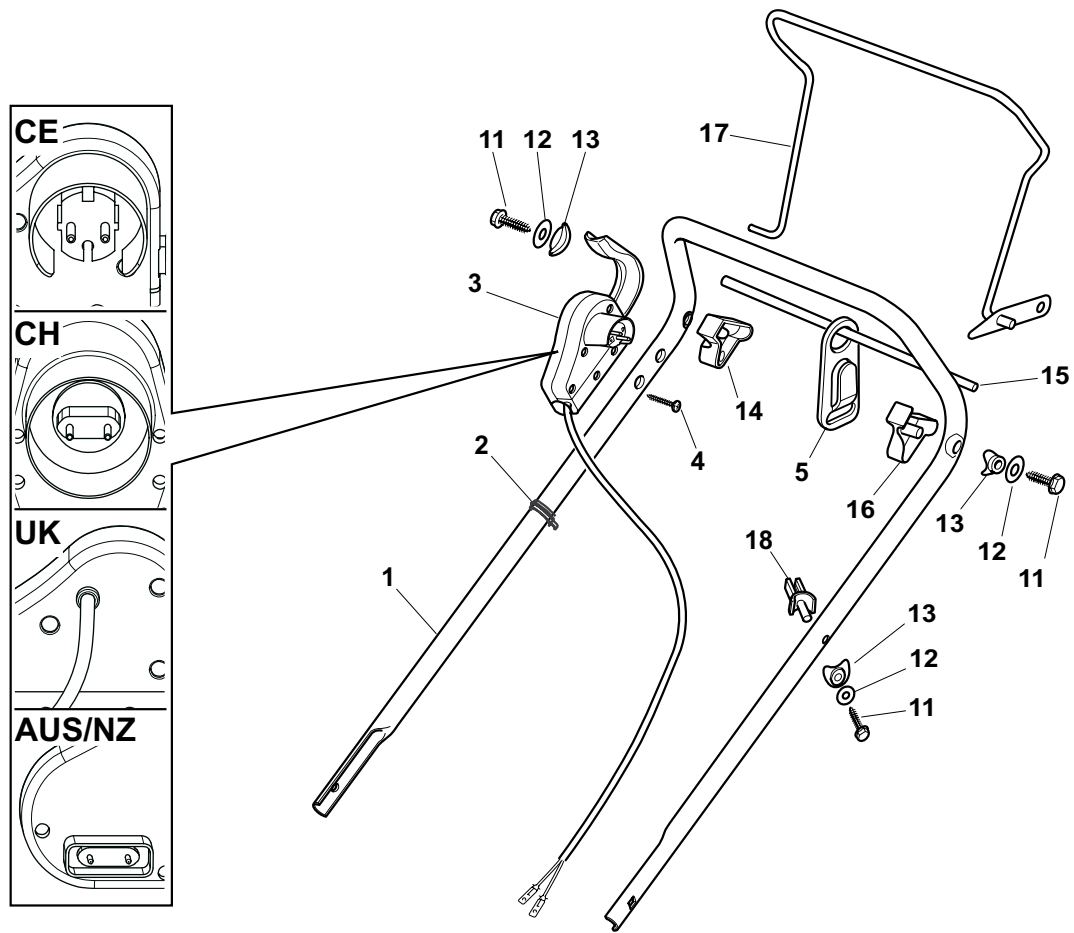
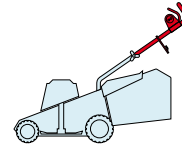


POS.	CODE	Q.TY	DESCRIZIONE	DESCRIPTION	DESCRIPTION	BESCHREIBUNG	REMARKS
1	81006532/0	1	Manico, Parte Inf	Handle, Lower Part	Mancheron, Partie Inférieure	Holm, Unterteil	
2	22785081/1	2	Supporto Esterno	Support, External	Support Externe	Halter, Außere	
3	22785082/0	1	Supporto Interno Dx	Support, R Internal	Support Interne D	Halter, Innere R	
4	22785083/1	1	Supporto Interno Sx	Support, L Internal	Support Interne G	Halter, Innere L	
6	22551575/0	2	Piastrina Interna	Plate, Inside	Plaquette Interne	Platte, Innere	
7	12793301/0	2	Vite	Screw	Vis	Schraube	
8	12155000/0	2	Dado	Nut	Ecrou	Mutter	
9	12521350/0	2	Rosetta	Washer	Rondelle	Scheibe	
10	12691810/0	2	Vite	Screw	Vis	Schraube	
11	22399803/0	2	Manopolina	Knob	Poignée	Griff	
12	12293202/0	2	Dado	Nut	Ecrou	Mutter	
13	81008623/1	1	Dotazione Viteria	Outfit, Screws	Dotation Visserie	Satz, Schrauben	
14	12293200/0	2	Dado	Nut	Ecrou	Mutter	
15	22399900/0	2	Manopolina	Knob	Poignée	Griff	
16	12819201/0	2	Molla Guida	Spring	Ressort	Feder	
17	22680006/1	2	Rosetta	Washer	Rondelle	Scheibe	

W

WL

480 TR

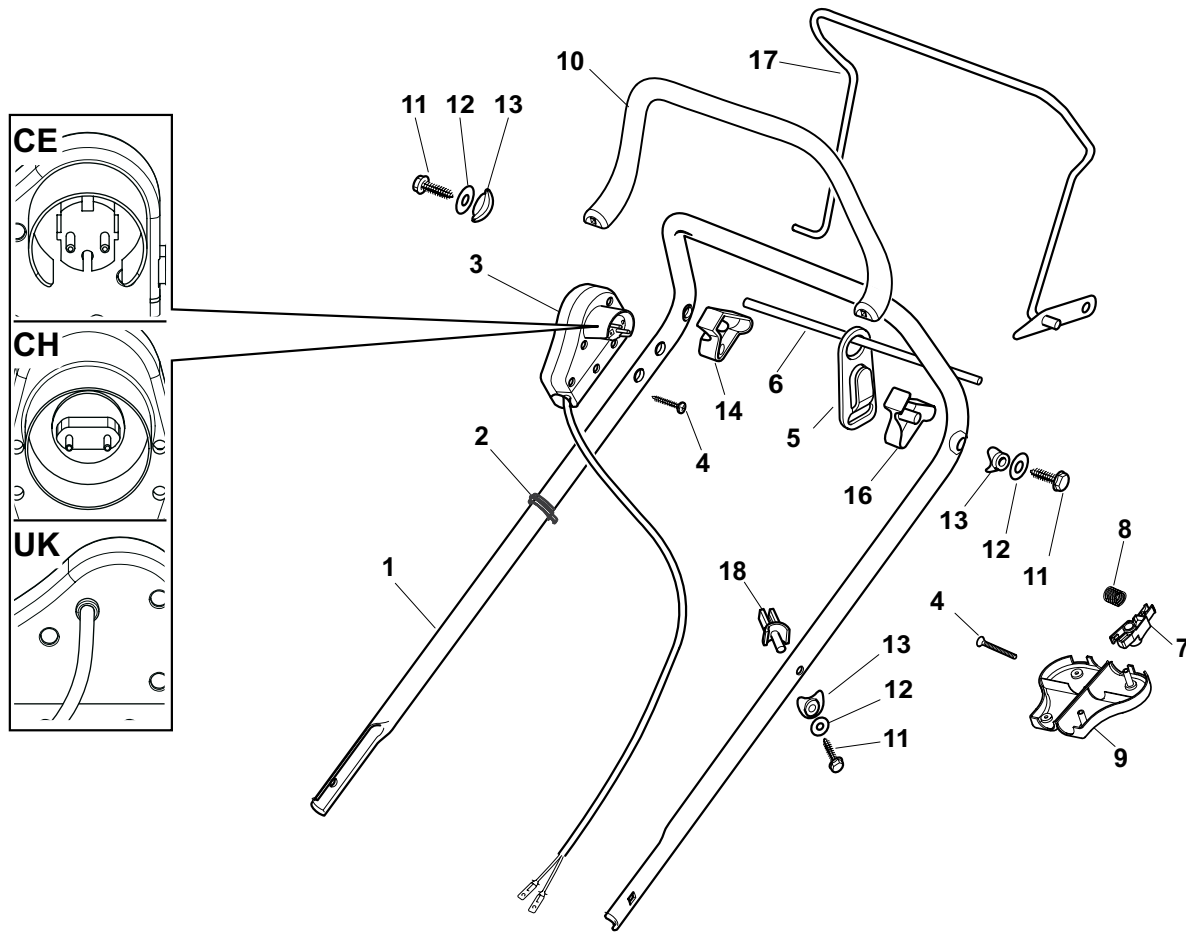
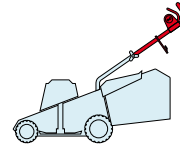


POS.	CODE	Q.TY	DESCRIZIONE	DESCRIPTION	DESCRIPTION	BESCHREIBUNG	REMARKS
1	81006603/0	1	Manico, Parte Sup	Handle, Upper Part	Manchon, Partie Supérieure	Holm, Oberteil	
2	22192000/1	2	Fascetta	Anchor Clamp	Collier Ancre	Bowdenzughalter	
3	81600500/1	1	Salvatore	Dead Hand Switch	Int. Main Morte	Tot Manschalter	CE
3	81600501/1	1	Salvatore	Dead Hand Switch	Int. Main Morte	Tot Manschalter	CH
3	81600502/1	1	Salvatore	Dead Hand Switch	Int. Main Morte	Tot Manschalter	UK
3	18710628/0	1	Salvatore	Dead Hand Switch	Int. Main Morte	Tot Manschalter	AUS/NZ
4	12728701/0	2	Vite	Screw	Vis	Schraube	
5	22195101/4	1	Fermacavo	Fairlead	Fixation Cable	Kabelbefestigung	
11	12735103/0	3	Vite	Screw	Vis	Schraube	
12	12523040/0	3	Rosetta	Washer	Rondelle	Scheibe	
13	22680006/1	3	Rosetta	Washer	Rondelle	Scheibe	
14	322806518/2	1	Supporto Dx	Support, R	Support D	Halter, Rechter	
15	22020320/0	1	Aggancio	Fairlead Bearing	Support Serrecable	Kabelhalter	
16	322806519/2	1	Supporto Sx	Support, L	Support G	Halter, Linker	
17	81001245/1	1	Leva Trazione	Driving Lever	Levier Traction	Antriebhebel	
18	22806520/0	1	Supporto Registro	Support, Adjuster	Support Ecrou Reg.	Halter, Regler	

W

WL

480 TR

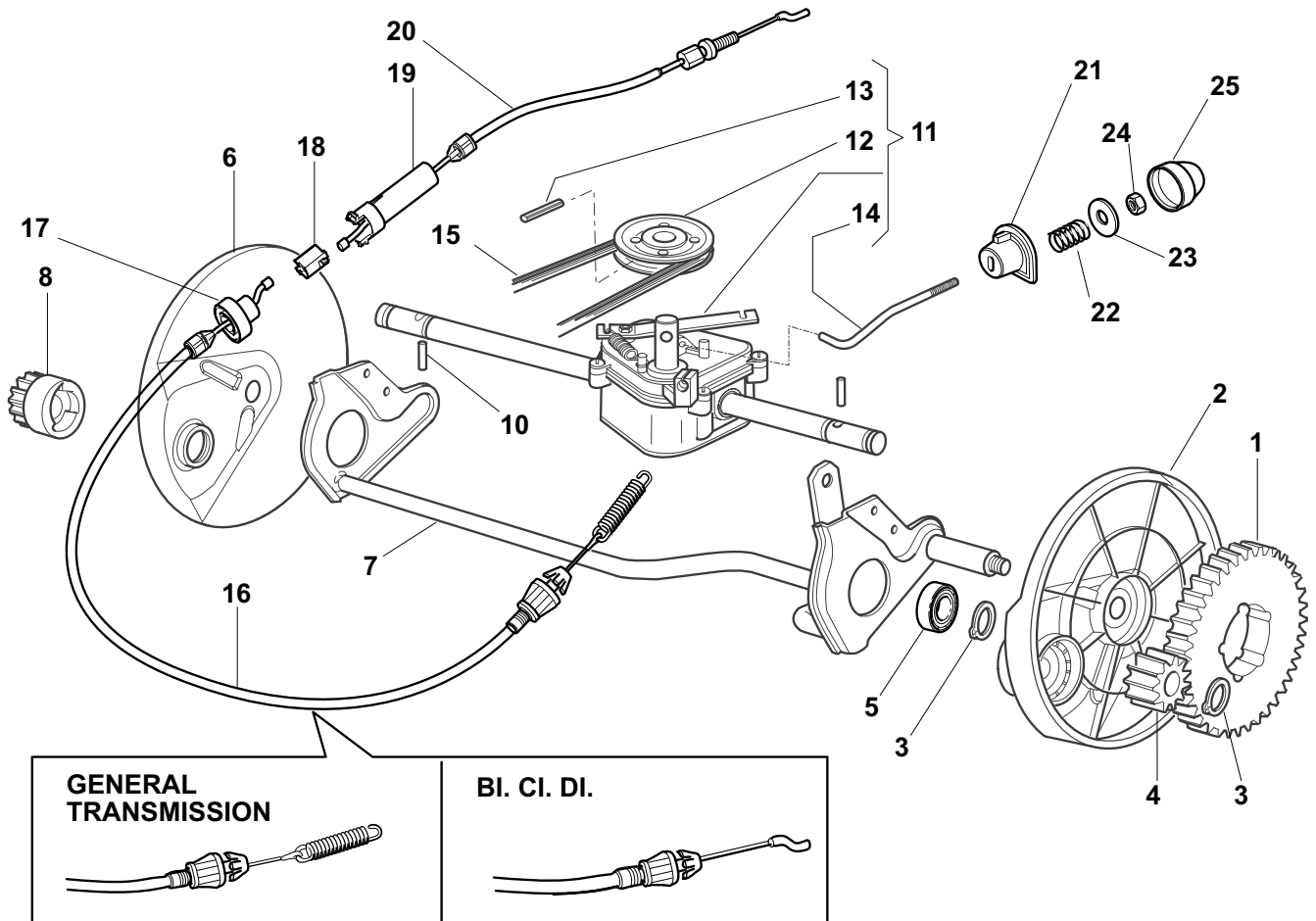
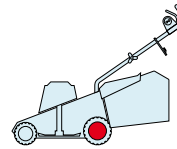


POS.	CODE	Q.TY	DESCRIZIONE	DESCRIPTION	DESCRIPTION	BESCHREIBUNG	REMARKS
1	81006603/0	1	Manico, Parte Sup	Handle, Upper Part	Mancheron, Partie Supérieure	Holm, Oberteil	
2	22192000/1	2	Fascetta	Anchor Clamp	Collier Ancrage	Bowdenzughalter	
3	381600503/2	1	Salvamotore	Dead Hand Switch	Int. Main Morte	Tot Manschalter	CE
3	381600505/2	1	Salvamotore	Dead Hand Switch	Int. Main Morte	Tot Manschalter	UK
3	381600504/2	1	Salvamotore	Dead Hand Switch	Int. Main Morte	Tot Manschalter	CH
4	12728701/0	4	Vite	Screw	Vis	Schraube	
5	22195101/4	1	Fermacavo	Fairlead	Fixation Cable	Kabelbefestigung	
6	22010251/0	1	Asta Aggancio Fermacavo	Rod, Fairlead Bearing	Tige Support Serrecable	Stange, Kabelhalter	
7	322230350/1	1	Fulcro	Fulcrum Pin	Point D'Appui	Gelenkpunkt	
8	22450115/0	1	Molla	Spring	Ressort	Feder	
9	22785144/0	1	Supporto	Support	Support	Halter	
10	322322881/1	1	Leva Freno Motore, Nero	Lever, Engine Brake	Levier Frein Moteur	Hebel, Motorbremse	
10	322322885/1	1	Leva Freno Motore, Giallo	Lever, Engine Brake	Levier Frein Moteur	Hebel, Motorbremse	
11	12735103/0	3	Vite	Screw	Vis	Schraube	
12	12523040/0	3	Rosetta	Washer	Rondelle	Scheibe	
13	22680006/1	3	Rosetta	Washer	Rondelle	Scheibe	
14	322806518/2	1	Supporto Dx	Support, R	Support D	Halter, Rechter	
15	22020320/0	1	Aggancio	Fairlead Bearing	Support Serrecable	Kabelhalter	
16	322806519/2	1	Supporto Sx	Support, L	Support G	Halter, Linker	
17	81001245/1	1	Leva Trazione	Driving Lever	Levier Traction	Antriebhebel	
18	22806520/0	1	Supporto Registro	Support, Adjuster	Support Ecrou Reg.	Halter, Regler	

W

WL

480 TR



POS.	CODE	Q.TY	DESCRIZIONE	DESCRIPTION	DESCRIPTION	BESCHREIBUNG	REMARKS
1	22120105/1	2	Corona	Ring Gear	Couronne	Kranz	
2	22600093/0	1	Prot. Ruote Sx	Protection, L Wheel	Protection Roue G	Schütz, Linkes	
3	12608600/0	4	Seeger	Seeger	Seeger	Seeger	
4	22570120/1	1	Pignone Sx	Pinion L	Pignon G	Ritzel Linkes	
5	19216035/0	2	Cuscinetto	Bearing	Coussinet	Lager	
6	22600092/0	1	Prot. Ruote Dx	Protection, R Wheel	Protection Roue D	Schütz, Rechtes	
7	81000147/0	1	Asse Ruote Posteriori	Axle, Rear Wheels	Axe Roues Arriere	Achse, Hinterrad	
8	22570110/1	1	Pignone Dx	Pinion R	Pignon D	Ritzel Rechtes	
10	22753000/0	2	Spina	Pin	Goupille	Stift	
11	81003081/1	1	Gruppo Trazione (Grigio)	Gear Box (Grey)	Groupe Traction	Antrieb (Grau)	(Bi Ci Di)
11	81003076/0	1	Gruppo Trazione	Gear Box	Groupe Traction	Antrieb	(General Transmission)
12	22601904/0	1	Puleggia	Pulley	Poulie	Riemenscheibe	
13	12645705/0	1	Spina	Pin	Goupille	Stift	
14	22033280/0	1	Asta Regolazione	Adjustment Rod	Tige Reglage	Verstellungstange	(Bi Ci Di)
14	22033283/0	1	Asta Regolazione	Adjustment Rod	Tige Reglage	Verstellungstange	(General Transmission)
15	35063800/0	1	Cinghia Z 27	Belt Z 27	Courroie Z 27	Riemen Z 27	
16	81000676/0	1	Cavo Comando Trazione Inf	Cable, Rear Drive Lower	Câble, Commande Traction Inferieure	Kabel, Antrieb Ober	(Bi Ci Di)
16	81000671/0	1	Cavo Comando Trazione Inf	Cable, Rear Drive Lower	Câble, Commande Traction Inferieure	Kabel, Antrieb Unter	(General Transmission)
17	22246031/0	1	Giunzione Inf	Lower Joint	Connection Inf	Verbindung Oben	



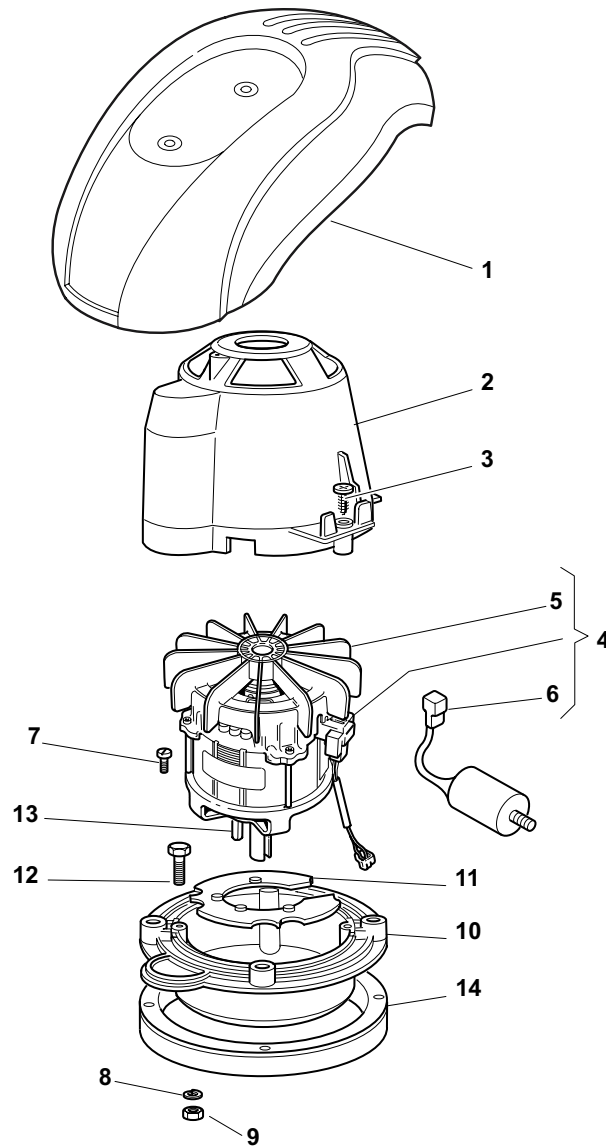
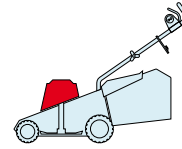
POS.	CODE	Q.TY	DESCRIZIONE	DESCRIPTION	DESCRIPTION	BESCHREIBUNG	REMARKS
18	22042040/0	1	Bussola Isolamento	Isolation Compass	Boussole De	Absonderung	
19	22246030/0	1	Giunzione Sup	Upper Joint	Connection Sup	Verbindung Unter	
20	81001150/0	1	Cavo Comando Trazione Sup	Cable, Rear Drive Upper	Câble, Commande Traction Superieure	Kabel, Antrieb Ober	
21	22041957/1	1	Bussola	Bush	Douille	Buchse	
22	22450063/0	1	Molla	Spring	Ressort	Feder	
23	22680009/0	1	Rosetta	Washer	Rondelle	Scheibe	
24	12154510/0	1	Dado	Nut	Ecrou	Mutter	
25	22110230/0	1	Tappo	Cap	Bouchon	Gummistopfen	



W

WL

480 TR

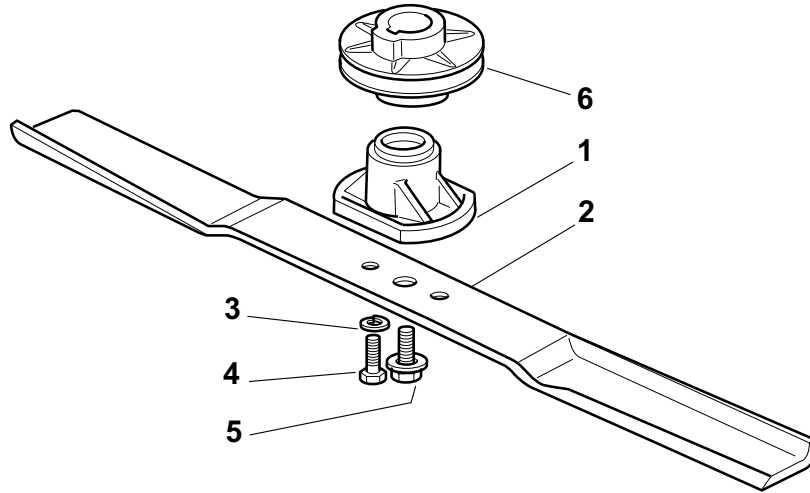
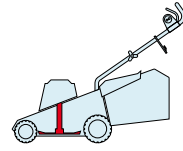


POS.	CODE	Q.TY	DESCRIZIONE	DESCRIPTION	DESCRIPTION	BESCHREIBUNG	REMARKS
1	_	1	Capottina	Cover	Capot	Haube	(See Enclosure 6)
2	22785210/0	1	Supporto Capottina	Support, Cover	Support Capot	Halter, Haube	
3	12728710/0	4	Vite	Screw	Vis	Schraube	
4	118563641/1	1	Motore Atb	Motor Atb	Moteur Atb	Motor Atb	230V (1800W)
5	18740054/0	1	Ventola Per Motore Atb	Fan Motor Atb	Ventilateur Moteur Atb	Lüfter Motor Atb	
6	18222039/0	1	Condensatore 25 µf	Condenser 25 µf	Condenseur 25 µf	Kondensator 25 µf	(Atb)
7	12735410/0	4	Vite	Screw	Vis	Schraube	
8	12583500/0	4	Grower	Grower	Grower	Federring	
9	12293200/0	4	Dado	Nut	Ecrou	Mutter	
10	322207211/4	1	Flangia	Flange	Bride	Flansch	
11	322720360/2	1	Schermo	Ventilation Screen	Ecran Ventilation	Lüftungschirm	
12	12691800/0	4	Vite	Screw	Vis	Schraube	
13	12139440/0	1	Linguetta	Feather	Clavette	Keil	
14	22170960/1	1	Distanziale	Spacer	Entretoise	Distanzring	
15	12728680/0	2	Vite	Screw	Vis	Schraube	

W

WL

480 TR

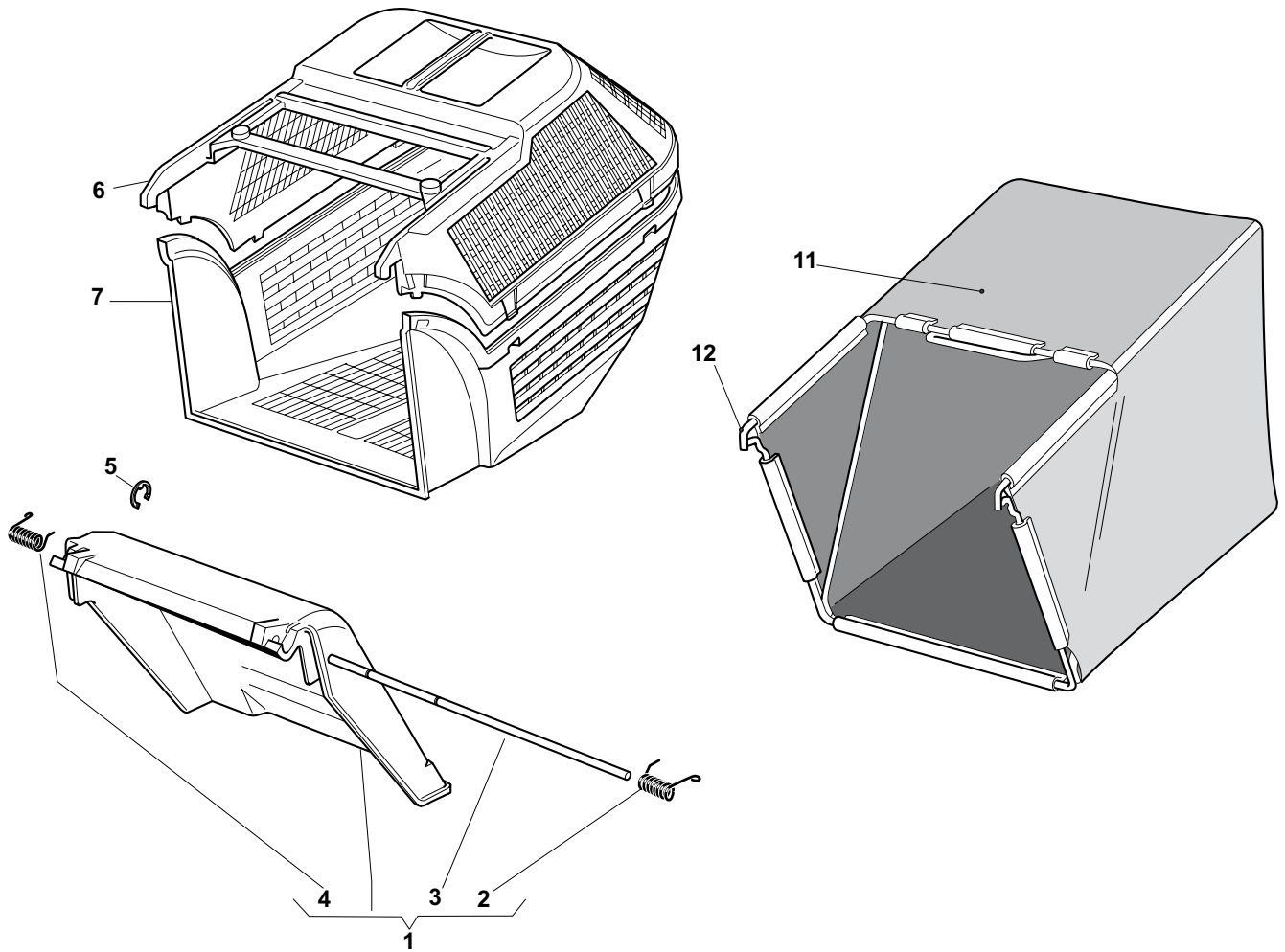
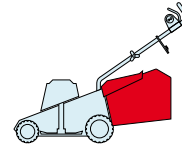


POS.	CODE	Q.TY	DESCRIZIONE	DESCRIPTION	DESCRIPTION	BESCHREIBUNG	REMARKS
1	322463186/3	1	Mozzo	Hub	Moyeu	Halter	
2	81004346/3	1	Coltello Standard	Blade Standard	Lame Standard	Messer Standard	480
2	81004397/0	1	Coltello Alettato	Blade Winged	Lame Ailette	Messer Flügel	480
3	12583500/0	2	Grower	Grower	Grower	Federring	
4	12793101/0	2	Vite	Screw	Vis	Schraube	
5	81004352/0	1	Vite	Screw	Vis	Schraube	
6	22601911/1	1	Puleggia	Pulley	Pouile	Riemenscheibe	

W

WL

480 TR

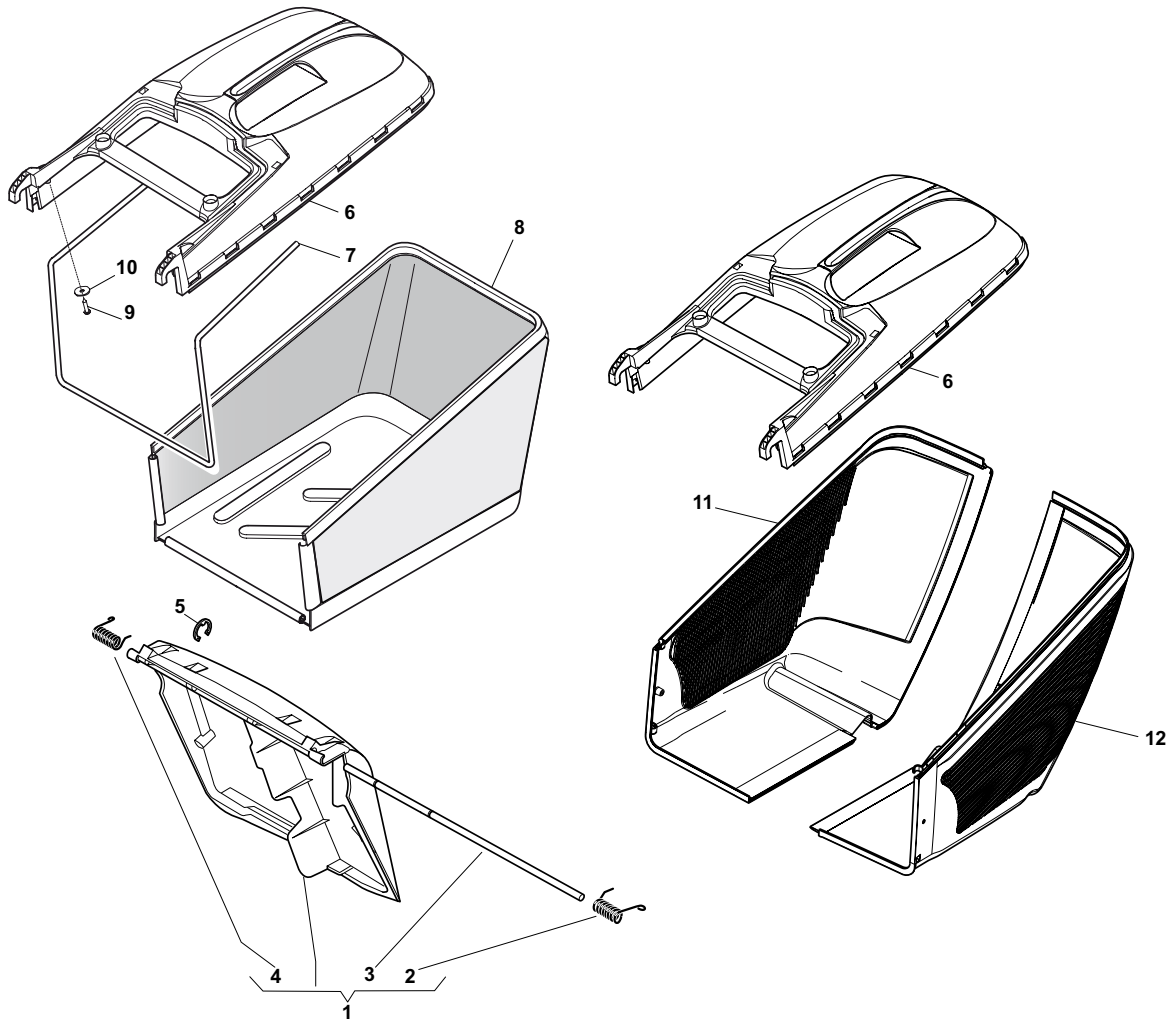
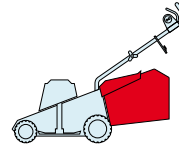


POS.	CODE	Q.TY	DESCRIZIONE	DESCRIPTION	DESCRIPTION	BESCHREIBUNG	REMARKS
1	381007308/2	1	Parasassi	Stone-Guard	Pare-Pierres	Prallblech	
2	22450420/1	1	Molla Sx	L Spring	Ressort G	Linke Feder	
3	22517906/1	1	Perno	Pin	Pivot	Bolzen	
4	22450410/1	1	Molla Dx	R Spring	Ressort D	Rechte Feder	
5	12000930/0	1	Anello Elastico	Snap Ring	Anneau Ressort	Sprengring	
6	322486073/1	1	Sacco, Parte Sup	Grass-Box, Upper	Sac, Partie Superieure	Korb, Oberteil	
7	22486074/0	1	Sacco, Parte Inf	Grass-Box, Lower	Sac, Partie Inferieure	Korb, Unterteil	
11	81002105/2	1	Sacco, Tela	Box, Fabric	Sac, Toile	Sack, Tuck	
12	81006418/0	1	Telaio Sacco	Chassis Box	Châssis Bac	Rahmen Sack	

W

WL

480 TR



POS.	CODE	Q.TY	DESCRIZIONE	DESCRIPTION	DESCRIPTION	BESCHREIBUNG	REMARKS
1	381008021/2	1	Parasassi	Stone-Guard	Pare-Pierres	Prallblech	
2	22450420/1	1	Molla Sx	L Spring	Ressort G	Linke Feder	
3	22517906/1	1	Perno	Pin	Pivot	Bolzen	
4	22450410/1	1	Molla Dx	R Spring	Ressort D	Rechte Feder	
5	12000930/0	1	Anello Elastico	Snap Ring	Anneau Ressort	Sprengring	
6	22486101/0	1	Sacco, Parte Sup	Grass-Box, Upper	Sac, Partie	Korb, Oberteil	
7	22608525/0	1	Rinforzo Inf	Stiffening Lower	Réinforcement Inf	Verstärkung	
8	81002211/0	1	Sacco, Tela	Box, Fabric	Sac, Toile	Sack, Tuck	
9	12728680/0	2	Vite	Screw	Vis	Schraube	
10	12523050/0	2	Rosetta	Washer	Rondelle	Scheibe	
11	322486150/1	1	Sacco, Parte Inf Dx	Grass-Box, R Lower	Sac, Partie Inferieure D	Korb, R Unterteil	
12	322486151/1	1	Sacco, Parte Inf Sx	Grass-Box, L Lower	Sac, Partie Inferieure G	Korb, L Unterteil	